



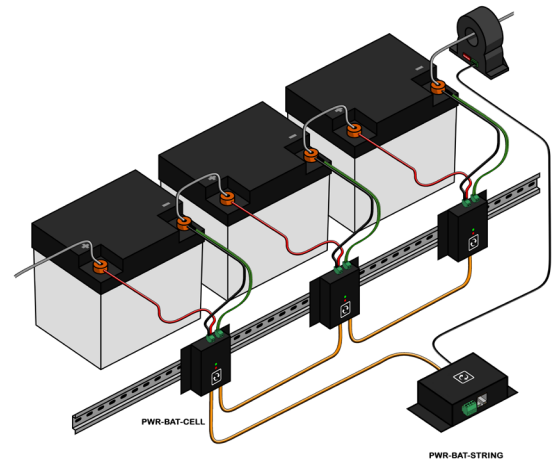
Battery Monitoring System (PWR-BAT-STRING) + (PWR-BAT-CELL)



PWR-BAT-STRING



PWR-BAT-CELL



General Description

Industrial grade battery monitoring system designed for monitoring lead acid, lithium-ion or nickel battery cells and strings.

Key Features

- plugs into the base unit (BASE-WIRED)
- powered by the base unit for up to 30 batteries (12v PSU required for more than 30 batteries)
- fused power and measurement circuit for protection
- battery, rack, wall or DIN rail mountable (PWR-BAT-CELL)
- OU rack, DIN rail or wall mountable (PWR-BAT-STRING)
- alerts via SNMP trap, email, SMS or voice calls
- wired or optionally wireless
- integrates via Modbus TCP, SNMP, JSON or XML through the Base unit
- CE and RoHs compliant.
- can block ripple interference from UPS
- Isolation - 1500 VDC
- M8 terminal Connector
- monitors the Total Voltage and Total Current
- monitors the Voltage, Temperature and Impedance for each battery cell
- monitors State of Health of the batteries
- (Optional) RS485 output
- (Optional) MQTT version available to connect it to a cloud of your choice

Technical Specifications

Power source	SensorGateway(BASE-WIRED) for up to 30 batteries, for more, an additional 12v PSU is required		
Power usage	500 mW per device		
Optional version	PWR-BAT-STRING-485 (with RS485 support)		
PWR-BAT-STRING	Measurement Range	Accuracy	Resolution
Total string current	0-300A	± 0.5%	0.07A
PWR-BAT-CELL	Measurement Range	Accuracy	Resolution
Terminal voltage	1-65V	± 0.5%	2%
Battery temperature	-55~+125°C / -67 ~+257 °F	± 0.5°C / 0.9 °F	0.1°C / .18 °F

Environmental and Physical Specification

Operating temperature range	-55°C to +85°C (-67°F to +185°F)
Operating humidity range	< 90% rH (non-condensating)
Dimensions	PWR-BAT-STRING (150mm x 88mm) PWR-BAT-CELL (80mm x 60mm)