

## UniVario<sup>®</sup> YMX5000

Flame Detection with Remote, Self-Monitoring Sensors



## Always watching, always protecting...

The modular detection system UniVario YMX5000 consists of a control unit with three connectors and remote sensor units for fast flame detection. The system meets individual requirements of wide range of applications. It is ideally suited for limited installation space in harsh industrial environments.

The UniVario series of industrial detectors includes a unique flame detector called the UniVario YMX5000. A dedicated control unit monitors essential functions and provides additional features like a status display and history memory. Various configuration options enhance system flexibility. Alarms are transmitted via a fire detection line to the fire alarm control panel; faults are optionally signalized via a fault line.

The electronic sensor units are enclosed in stainless steel housings. They are connected by a cable plug to the control unit. Sensor units YMX5000 FMX are three-channel infrared flame detectors and detect open flames with accuracy. Special Ex sensors are available for hazardous applications.

The sensor units check the optics periodically for possible contamination or damage—a unique characteristic that increases operational safety and has no equal.

FMX sensor units can be used at temperatures from  $-40^{\circ}\text{F}$  to  $176^{\circ}\text{F}$ .

The sensor units "Ex" are suitable for use in the hazard zones 1, 2, 20, 21 and 22. These sensor units are operated at the control unit YMX5000 3GD which is used in Hazard Zone 2 and 22.

The control unit is mounted on a wall and/or pipe mount bracket. Thanks to the single-hole mounting with bayonet lock, and the bracket with adjustable viewing angle, installation of the sensor units is easy and safe. If necessary, air flushing can be integrated, and does not affect the large  $120^{\circ}$  field of view of each sensor.

Each sensor unit is fitted with replaceable optics which is easily and quickly removable. This considerably simplifies maintenance.

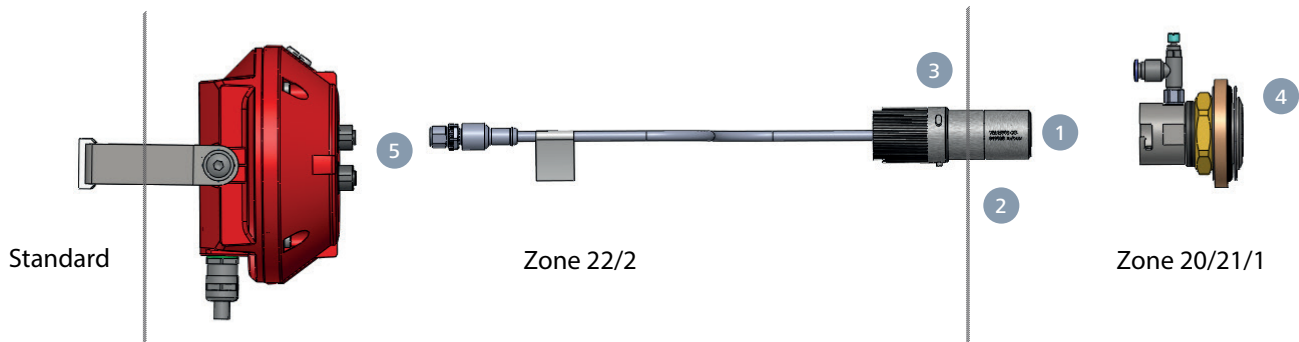


## UniVario YMX5000 Configurations

The platform-based UniVario series allows compatibility with all accessory and assembly components.

	Standard		Accessories	
Control Unit	YMX5000 	YMX5000 3GD 	Mounting Kit YMX5000 	Mounting Kit YMX5000 Air Flushing 
Sensor Unit Flame Detector	YMX5000 FMX 	YMX5000 FMX Ex 	Replaceable Optics YMX5000 	Pipe Mounting Bracket MX5000 

## UniVario YMX5000 for Hazardous Applications



## UniVario YMX5000 Advantages

**1** Optics self-test and 120° viewing angle

**2** Replaceable optics

**3** Operating temperature from -40° F to 176° F

**4** Optional air flushing with 120° viewing angle

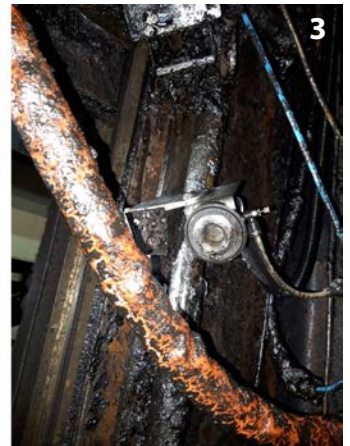
**5** Minimized sensor units

## Ideal for a remote detection in a variety of industries:


- Wood Furniture
- Rubber
- Food
- Automotive
- Coffee
- Battery
- Paper
- Wood Pellets
- Recycling
- Agricultural
- Printing
- Wood Cabinets
- Foundries
- Textiles
- Biomass
- Tobacco
- Metal Fabrication
- Coal Processing
- Corrugated
- Confectionery
- Pharmaceuticals
- Shot Blasting
- Composite Board
- Tissue
- Power Generation
- Plastics

### YMX5000 in Operation:

1. Sensors are located remote from Control Units with several mounting options
2. Control Units use UniVario Series mounting options
3. Air-flushing mounting option especially useful in dirty or contaminated environments



### Benefits of using UniVario YMX5000 detectors:

- High-performance modular system for standard and hazardous applications
- Cyclic optics monitoring for all sensor units
- 120° viewing angle ensures dependable detection
- Up to 3 sensor units can be connected to one control unit
- Sensor unit can be used at temperatures from -40° F to 176° F
- Sensor units are operated at the control unit YMX5000 3GD for use in hazardous applications
- Easy single-hole mounting for confined spaces
- Easy servicing and maintenance thanks to cost-saving replaceable optics
- FM Global Approved 

Viking Integrated Safety  
Viking Group, Inc.  
5150 Beltway Dr. SE  
Caledonia, Michigan 49316  
Toll Free Phone: (800) 968-9501  
Local Phone: (269) 945-9501  
Web: [Safety.SupplyNet.com](http://Safety.SupplyNet.com)  
E-mail: [VIS@VikingCorp.com](mailto:VIS@VikingCorp.com)

  
Integrated Safety