

TOTALPAC®3

Integrated Fire Protection Systems

COMPACT AND AESTHETIC

THE **TOTALPAC®3** SETS THE BAR FOR MODERN
FIRE PROTECTION APPLICATIONS



FEATURES

- cULus Listed & FM Approved as an assembled unit
- modular **Viking** conventional trim rated at 250 psi
- galvanized trim piping
- factory assembled, programmed and tested under ISO-9001 standards
- serial number for easy reference
- corrosion resistant cabinet with flush type handle and lock
- all internal components are fully accessible from the front of the cabinet
- no open drain cup inside the unit
- self-contained unit prewired to the **Viking VFR-400** releasing control panel
- failsafe preaction type with a **Surefire®** trim
- multicycle units using **Firecycle® III** technology
- numerous modular options to meet the most demanding jobsite requirements
- 4 styles of modular air supply options
- inlet & outlet hydrostatic test ports
- user-friendly standardized operation & installation manual
- compact cabinet design / small footprint
- uses Viking Model F-1 Straight Through Deluge valve
- available up to 8" systems
- larger compressor available up to 8" systems (up to 2 HP)
- removable knockouts provided for electrical conduit connections (no drilling required in cabinet)



MODULAR ENCLOSURES

Remote-controlled unit: is provided with a junction box atop the sprinkler trim enclosure where all internal devices are prewired to a sturdy set of terminals for field wiring to a releasing control panel to be provided by others.

Self-contained unit: is a complete system with a prewired releasing control panel installed in an enclosure atop the sprinkler trim enclosure.

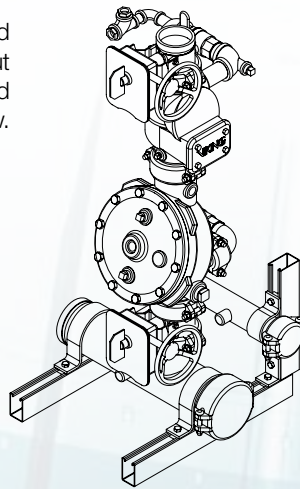
MODULAR RELEASE TRIM

Units are built from subassemblies using quality pipe unions making servicing any part quick and simple. Operating instructions indicated on all valve handles and devices make operation safe and easy to comprehend.

SYSTEM OPTIONS

- **The riser shut-off valve option:** consist of a supervised butterfly valve which allows for a full flow trip test without flooding the system's piping and a sight glass located on the main drain for visual indication of the water flow.
- **Fire department connection** (available only on the right side of the cabinet).
- **Semi-flanged option:** flanged inlet and riser connections, threaded drain.
- **Anti-column device:** to allow automatic draining of water column.
- **Seismic option:** OSHPD pre approved construction using specific components.

RISER SHUT-OFF VALVE OPTION



TOTALPAC®3 UNITS

ARE AVAILABLE IN THE FOLLOWING SYSTEM TYPES:

PREACTION

- non-interlocked with pneumatic or electric release
- single interlocked with pneumatic or electric release
- double interlocked with pneumatic-pneumatic, electric-pneumatic or electric-pneumatic release

SUREFIRE®

- failsafe single or double interlocked preaction system

MULTICYCLE

- **Firecycle® III** single or double interlocked preaction
- **Firecycle® III** deluge
- **Firecycle® III** wet

DELUGE

- with hydraulic, pneumatic or electric release

DRY PIPE

- available in standard 175 psi or HP 250 psi

WET PIPE

- available with retard chamber or excess pressure pump



TOTALPAC®3
OPEN CABINET

SEISMIC OPTION

The TOTALPAC®3 seismic option is OSHPD pre-approved under OSP-0341-10 up to a $S_{DS}(g)$ of 2.22. and available with or without control panel.

QUALIFICATIONS

The TOTALPAC®3 seismic option construction is qualified in accordance with:

- International Building Code, 2006-2009 Edition
- California Building Code, 2013 Edition
- ICC-ES AC-156, 2010 Edition

Seismic testing is for equipment being installed above the grade of the building structure, including roof top; with a maximum calculated S_{DS} of 2.212 for Soil Class D. Following seismic testing, a visual evaluation and functional testing was repeated on the seismic test items to verify their integrity and operability.

AIR SUPPLY FOR CABINETS

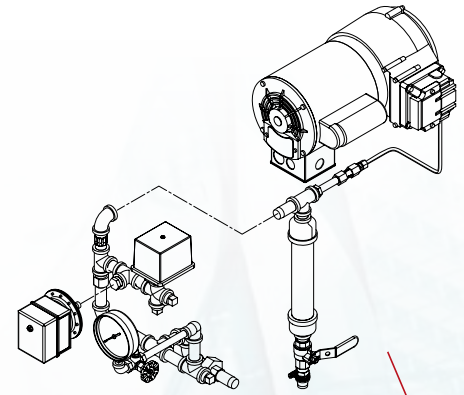
The automatic sprinkler piping is supervised by compressed air from a source installed inside or outside the cabinet. The air supply must be regulated. When the compressor option is selected (air supply style "A"), the motor must be sized to restore normal system air pressure within 30 minutes as per **NFPA 13** requirements.

1. Air supply style "A": is used to supervise the sprinkler piping network of dry or preaction systems. This option includes an oilless piston-type air compressor with supervisory trim integrated in the **TOTALPAC®3** cabinet and factory piped to the system riser.

Air compressors have open, single-phase motors with internal thermal protection.

AVAILABLE COMPRESSORS

HP	VAC / Hz	
1/6	220/120/60	220/50
1/3	220/120/60	220/50
1/2	220/120/60	220/50
1	220/120/60	220/50
1 1/2	220/120/60	220/50
2	220/120/60	N/A

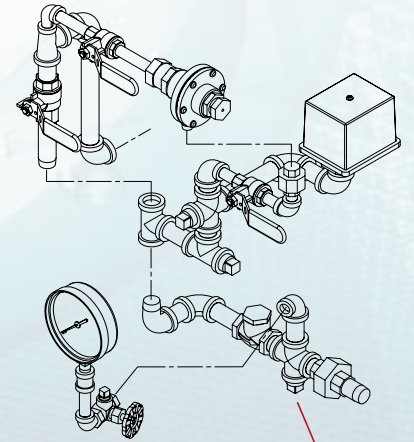


AIR SUPPLY STYLE "A"

2. Air supply style "B": is provided with an air pressure maintenance device factory mounted and adjusted in the **TOTALPAC®3** cabinet and piped to the air inlet port of the unit. Used to supervise and restrict the air supply of the sprinkler piping network of dry or preaction sprinkler systems when the external air supply (by tank-mounted air compressor, plant air or dry nitrogen cylinders) is provided by others.

Note: the air supply must be restricted to ensure that it cannot replace air as fast as it escapes when a releasing device or sprinkler operates.

3. Air supply style "C": is provided with an air pressure maintenance device factory mounted in the **TOTALPAC®3** cabinet. Used only for the pilot line of a pneumatically operated system.



AIR SUPPLY STYLE "B"

4. Air supply style "D": is provided with an air supervisory switch and shut-off trim. Used for freezer application with external air supply and regulation.

RELEASING CONTROL PANEL

The **Viking VFR-400** is cULus Listed, FM Approved and meets UL 864-9 requirements. It features onboard menu-driven programming with twelve pre-installed programs to facilitate set up. The panel is compatible with multiple initiating devices such as: linear heat detection, smoke and heat detectors, waterflow indicators, low & high air pressure switches as well as manual pull stations.



RELEASING CIRCUIT DISCONNECT SWITCH

Required by **NFPA 72 - 2010 Edition**, this feature is standard on all our **TOTALPAC®3** units and prevents accidental discharge during maintenance or inspection. Operation of the key switch physically disconnects the release circuit wiring and causes a trouble signal at the releasing control panel.



REMOTE-CONTROLLED & SELF-CONTAINED UNITS

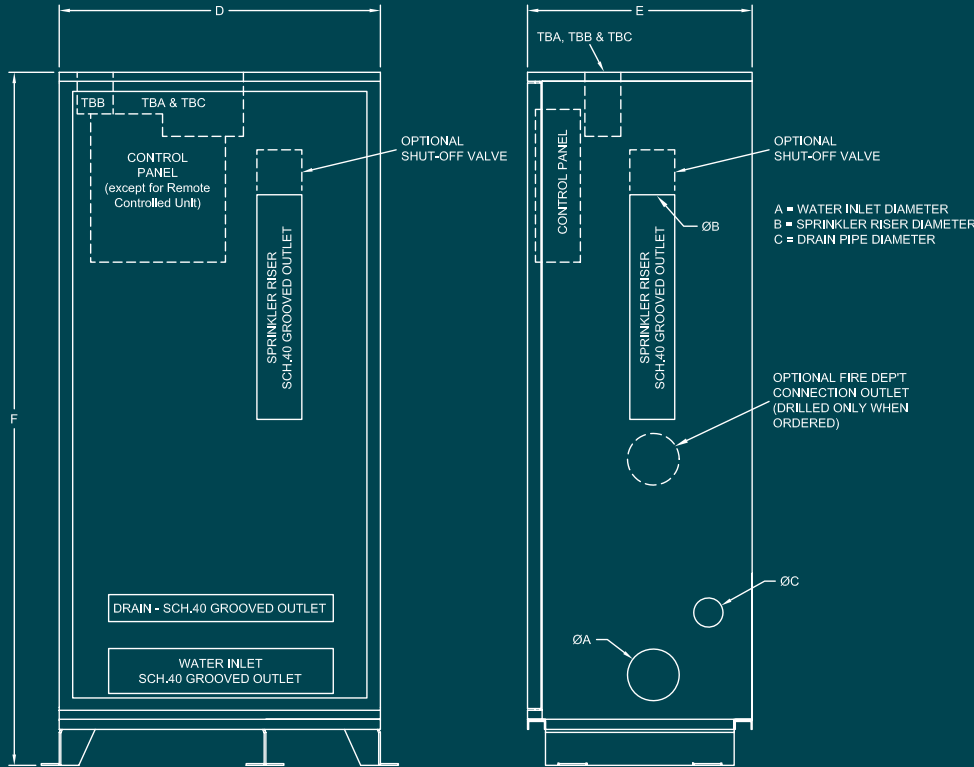


FIGURE 1
Dimensions of Remote-Controlled
and Self-Contained Units

System Size	A	B	C	D	E	F
1½"	2"	1½"	2"	23"	25"	77"
2"	2"	2"	2"	23"	25"	77"
3"	4"	3"	2"	36"	25"	77"
4"	4"	4"	2"	36"	25"	77"
6"	6"	6"	2"	46"	25"	77"
8"	8"	8"	2"	54"	31"	81"

NOTE: dimensions and actual size may vary depending on options and configuration selected, please refer to data sheets for exact dimensions.

TYPICAL SKID UNIT

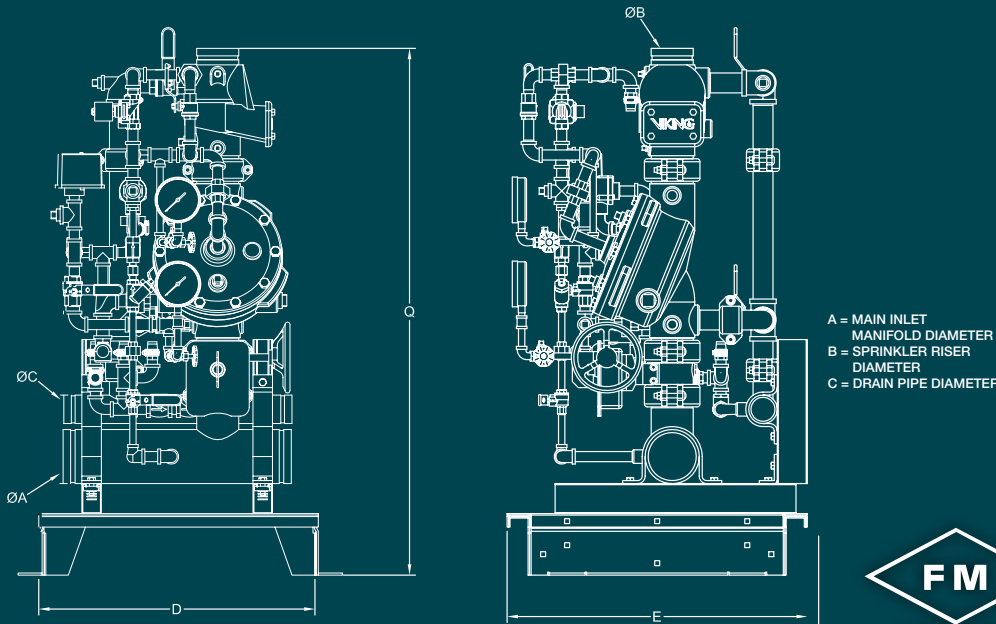


FIGURE 2
Dimensions of Typical Skid Units

System Size	A	B	C	D	E	Q
1½"	2"	1½"	2"	23"	25"	38"
2"	2"	2"	2"	23"	25"	38"
3"	4"	3"	2"	36"	25"	44"
4"	4"	4"	2"	36"	25"	48"
6"	6"	6"	2"	46"	25"	60"

NOTE: dimensions and actual size may vary depending on options and configuration selected, please refer to data sheets for exact dimensions.

A = MAIN INLET
MANIFOLD DIAMETER
B = SPRINKLER RISER
DIAMETER
C = DRAIN PIPE DIAMETER

**NYC FIRE DEPT.
APPROVED**

**CSFM
APPROVED**

**CERTIFIED
COMPANY
ISO 9001**



FM-07QV-0-20G
Printed in Canada

1935 Lionel-Bertrand Blvd., Boisbriand (QC) Canada J7H 1N8 | Phone: 450-437-3473
Toll Free: 1-866-347-3353 | Fax: 450-437-1930 | Email: info@fireflex.com

FIREFLEX
Systems Inc.

WWW.FIREFLEX.COM