



TECHNICAL DATA

PNEUMATIC DISCHARGE PRESSURE SWITCH

The Viking Corporation | 210 N Industrial Park Drive | Hastings MI 49058

Viking Special Hazards | Technical Services: 877-384-5464 | Email: techsvcs@vikingcorp.com | www.vikinggroupinc.com

The technical data described herein is for components of the Viking VSH200 and VSH1230 Clean Agent Systems.

For design, installation, and operation instructions, refer to the latest edition of the original source documents as outlined below.

VSH200: Installation and Service Manual (Part No. 932167), Design Manual (Part No. 932165), and Operation Manual (Part No. 932169).

VSH1230: Installation and Service Manual (Part No. 932159), Design Manual (Part No. 932157), and Operation Manual (Part No. 932161).

Visit the Viking website for the latest edition of the technical manuals listed above.

1. DESCRIPTION

For Viking VHS1230 and VHS200 Fire Extinguishing Systems, when a manual release device is installed, a pneumatically actuated limit switch (pressure switch) is required on the pipeline to indicate a release per NFPA 2001.

- As extinguishing agent enters the pipeline, the pressure of the agent opens or closes the floating contacts of the limit switch (depending on whether it is set for NO or NC operation).
- The status of this contact can be monitored by the agent release control panel.
- The dry contacts can be used for different purposes, triggered via the pneumatic discharge pressure switch when connected electronically to the detection system.
- These dry contacts can be used for alarm notification, shutting dampers, closing doors, etc.
- The pushbutton on the pneumatic discharge pressure switch is for testing purposes.
- The pilot line hose connects the pneumatic discharge pressure switch to the pipeline. (Other hose lengths available-see Table 1.)

2. LISTINGS AND APPROVALS



UL Listed: Clean Agent Extinguishing System Unit



FM Approved: Clean Agent Fire Extinguishing System

3. TECHNICAL DATA

Specifications

Discharge Pressure Switch:

- Switch System: 2 adjustable contacts
- Contact Types:
 - Standard setting is 2 normally open (NO)
 - Can be set for 2 normally closed (NC)

Maximum Operating Pressure: 1741 psi (120 bar)

Maximum Rated Voltage: 500V

Maximum Rated Current: 16A

Material Standards

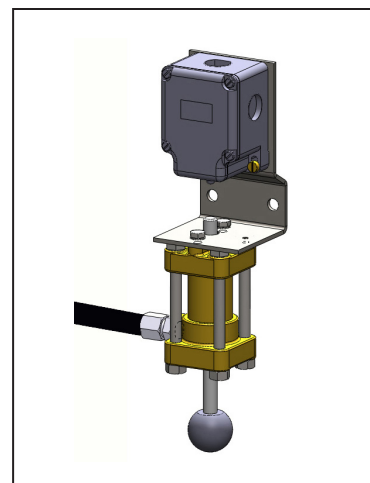
Discharge Pressure Switch:

- Housing: Alloy die-cast metal
- Bracket: Steel
- Bolts: Zinc plated steel
- Cylinder: Brass
- Contact Material: Silver
- Pushbutton: Plastic
- Hose: Rubber hydraulic hose with galvanized steel ends
- Hose Adapters: Galvanized steel

NOTE: The Pneumatic Discharge Pressure Switch is factory set for NO operation. It may be switched to NC operation: Use a flathead screwdriver to remove the switch cover and adjust the two contacts. Verify that the switch is set for NC operation and then replace the switch cover.

Ordering Information

To order the VHS1230 and VHS200 Fire Extinguishing System Pneumatic Discharge Pressure Switch refer to Table 1.



WARNING: Cancer and Reproductive Harm-
www.P65Warnings.ca.gov

TABLE 1: REPLACEMENT PART NUMBERS

Description		Part No.
Pneumatic Discharge Pressure Switch		82 6758
Hoses	24" (600 mm) long	88 7834
	39" (1,000 mm) long	88 7835
	59" (1,500 mm) long	88 7836
Adapter, 1/4" NPT to M12 x 1.5 Hose		17552
Adapter, Pressure Switch G 1/4 to M12 x 1.5 Hose		17553



TECHNICAL DATA

PNEUMATIC DISCHARGE PRESSURE SWITCH

The Viking Corporation | 210 N Industrial Park Drive | Hastings MI 49058

Viking Special Hazards | Technical Services: 877-384-5464 | Email: techsvcs@vikingcorp.com | www.vikinggroupinc.com

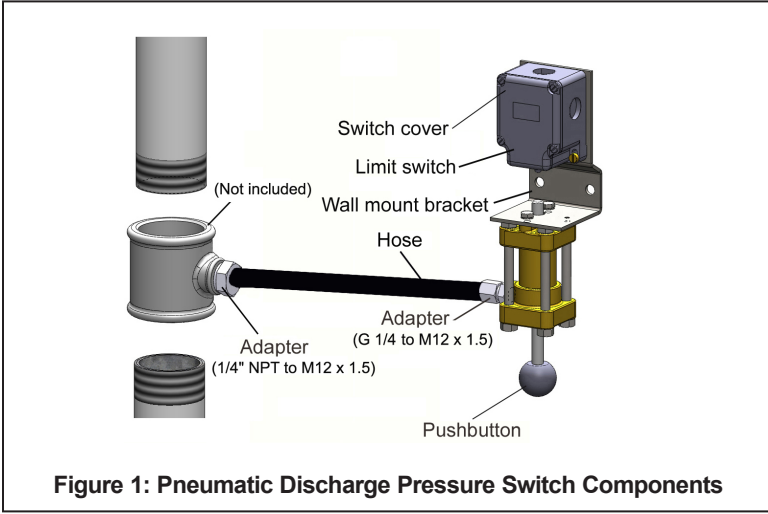


Figure 1: Pneumatic Discharge Pressure Switch Components

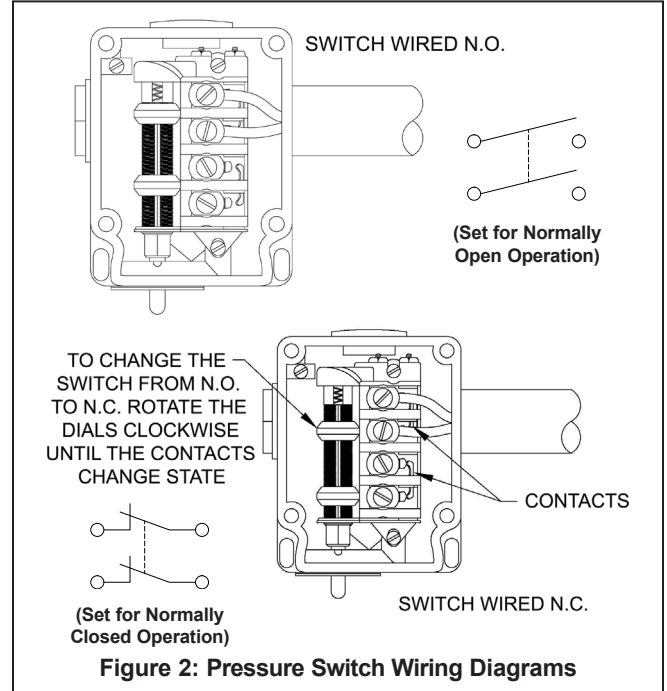


Figure 2: Pressure Switch Wiring Diagrams

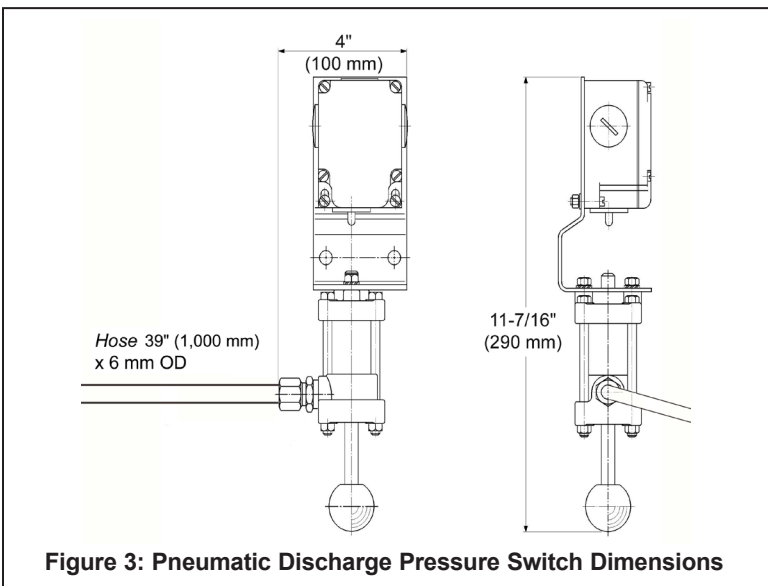


Figure 3: Pneumatic Discharge Pressure Switch Dimensions